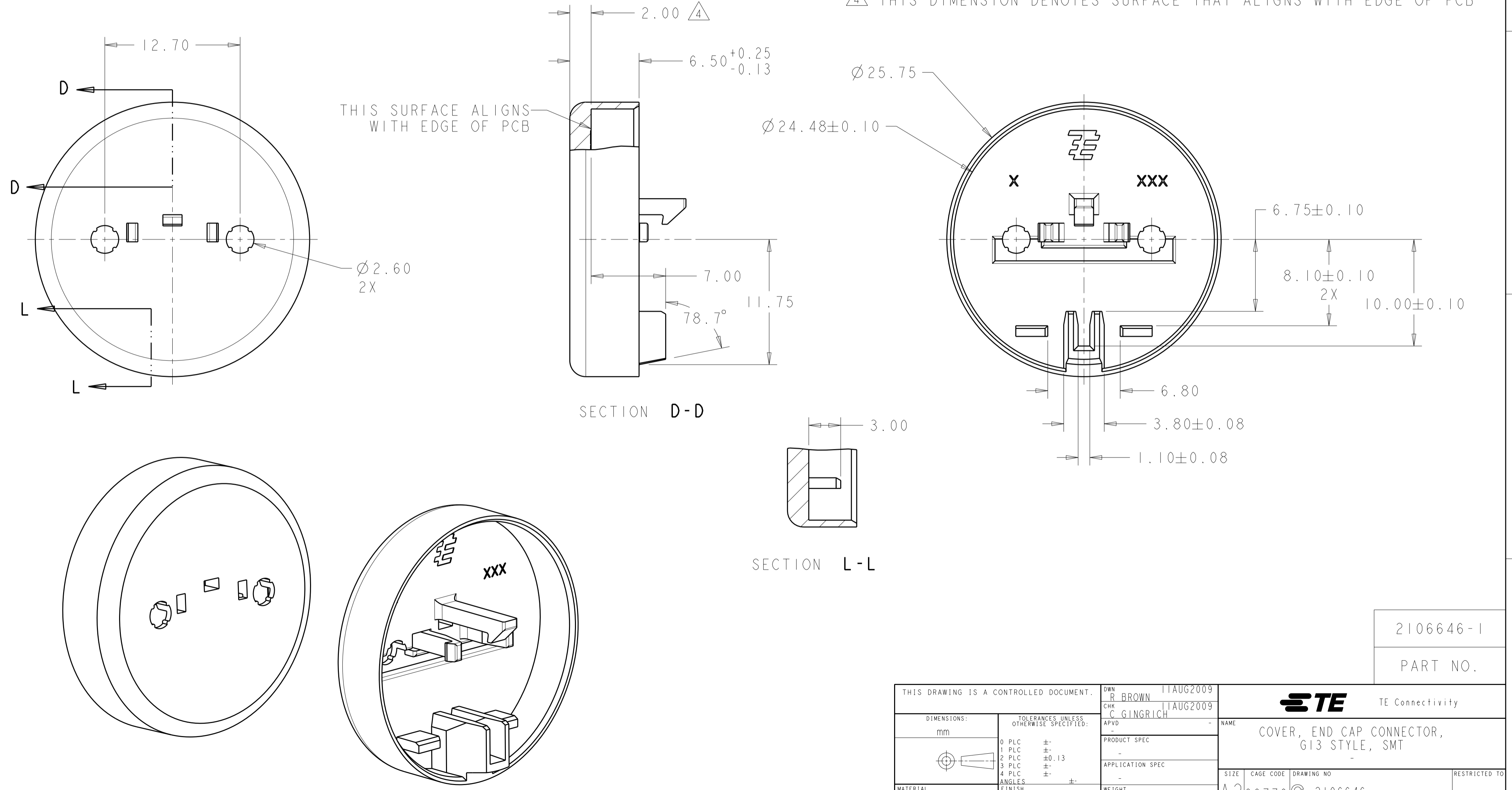


THIS DRAWING IS UNPUBLISHED. RELEASED FOR PUBLICATION 20
 © COPYRIGHT 20 BY - ALL RIGHTS RESERVED.

LOC		DIST		REVISIONS			
P	LTR	DESCRIPTION	DATE	DWN	APVD		
-	-	-	-	-	-	-	-
	AI	REVISED PER ECO-11-004820	11MAR2011	RK	HMR		

- △ MATERIAL: PBT. COLOR: NATURAL
- 2. THIS PRODUCT HAS NOT COMPLETED VALIDATION TESTING
- 3. MUST COMPLY WITH DIRECTIVE 2002/95/EC (ROHS)
- △ THIS DIMENSION DENOTES SURFACE THAT ALIGNS WITH EDGE OF PCB



2106646-1
 PART NO.

THIS DRAWING IS A CONTROLLED DOCUMENT.		DWN R. BROWN 11AUG2009	TE Connectivity	
		CHK C. GINGRICH 11AUG2009		
DIMENSIONS: mm		APVD -		NAME COVER, END CAP CONNECTOR, G13 STYLE, SMT
TOLERANCES UNLESS OTHERWISE SPECIFIED: 0 PLC ±- 1 PLC ±- 2 PLC ±0.13 3 PLC ±- 4 PLC ±- ANGLES ±- FINISH		PRODUCT SPEC -		SIZE A200779
MATERIAL △ -		APPLICATION SPEC -		CAGE CODE C-2106646
		WEIGHT -		DRAWING NO. 2106646
		CUSTOMER DRAWING		RESTRICTED TO -
		SCALE 4:1		SHEET 1 OF 1 REV AI